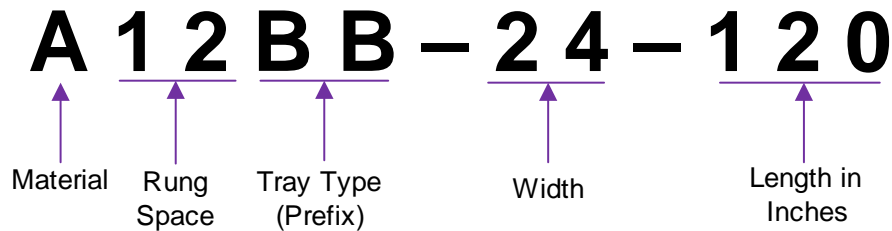


# HEFTY TRAY

## TECHNICAL DATA

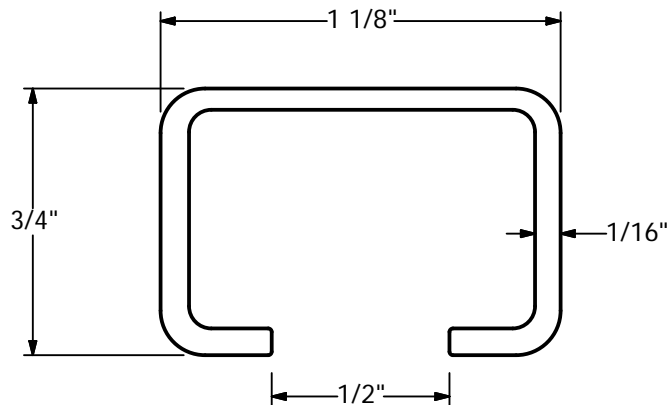
Depth	4 inches, 4 1/2 inches, and 6 inches.
Length	10 feet (120") standard. Also available in 20 feet (240") except in steel.
Widths (inside)	6, 9, 12, 18, 24, 30 and 36 inches.
Rung Spacing	9, 12 or 18 inches.
Materials	Aluminum Alloy 6061-T6 or 6063-T6, Mill Galvanized or HDGAF Steel. Painted, epoxy finishes are also available.
Fittings	12, 24 or 36 inch radii. See the fittings section of this catalog.
Splice Plates	Straight sections and fittings are supplied with splice connectors and hardware.

## CATALOG NUMBER



**Materials:** A = Aluminum, P = Mill Galvanized, S = HDGAF Steel, 4 = 304 Stainless, 6 = 316 Stainless

## RUNG SECTION & DIMENSIONS

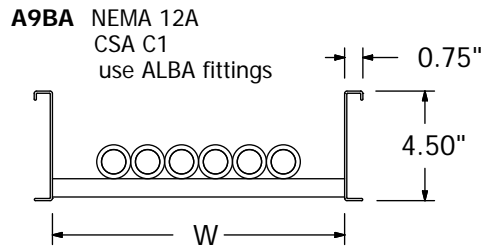


## HOW TO ORDER

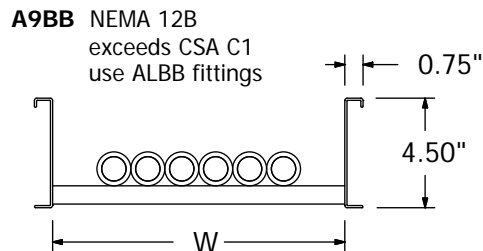
Prefix	Prefix – Width – Length	Splices
A( )BA, A( )BB, A( )CA	– ( ) – 120	ASP-H2
A( )E, A( )E1	– ( ) – 120	ASP-M2
S( )B, S( )BC, S( )P, S( )PD	– ( ) – 120	SSP-H2

Note: Insert Rung Space in Prefix, and then insert Width. All dimensions are in inches

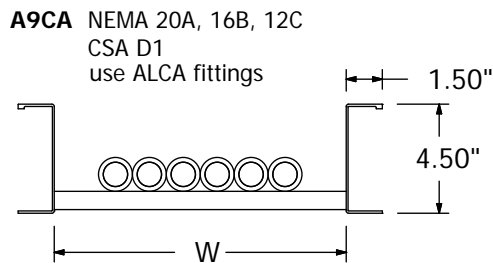
# HEFTY TRAY



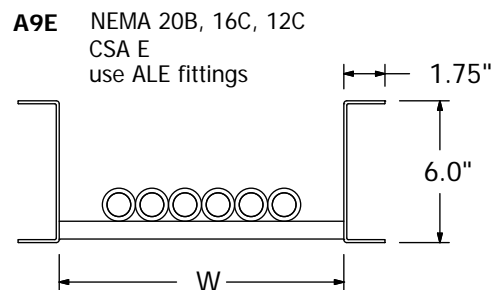
Width	Span (ft)							
	4		6		8		10	
	Load	Defl	Load	Defl	Load	Defl	Load	Defl
6"	540	0.15	240	0.34	135	0.61	86	0.96
9"	540	0.15	240	0.34	135	0.61	86	0.96
12"	540	0.15	240	0.34	135	0.61	86	0.96
18"	435	0.12	240	0.34	135	0.61	86	0.96
24"	327	0.09	240	0.34	135	0.61	86	0.96
30"	262	0.07	240	0.34	135	0.61	86	0.96
36"	218	0.06	218	0.31	135	0.61	86	0.96



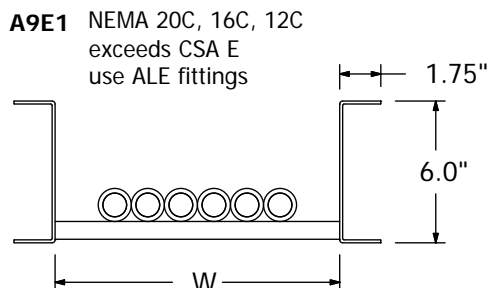
Width	Span (ft)							
	4		6		8		10	
	Load	Defl	Load	Defl	Load	Defl	Load	Defl
6"	675	0.14	300	0.32	169	0.57	108	0.89
9"	675	0.14	300	0.32	169	0.57	108	0.89
12"	655	0.14	300	0.32	169	0.57	108	0.89
18"	435	0.09	300	0.32	169	0.57	108	0.89
24"	327	0.07	300	0.32	169	0.57	108	0.89
30"	262	0.05	262	0.28	169	0.57	108	0.89
36"	218	0.05	218	0.23	169	0.57	108	0.89



Width	Span (ft)							
	12		14		16		20	
	Load	Defl	Load	Defl	Load	Defl	Load	Defl
6"	139	1.63	102	2.22	78	2.90	50	4.53
9"	139	1.63	102	2.22	78	2.90	50	4.53
12"	139	1.63	102	2.22	78	2.90	50	4.53
18"	139	1.63	102	2.22	78	2.90	50	4.53
24"	139	1.63	102	2.22	78	2.90	50	4.53
30"	139	1.63	102	2.22	78	2.90	50	4.53
36"	139	1.63	102	2.22	78	2.90	50	4.53



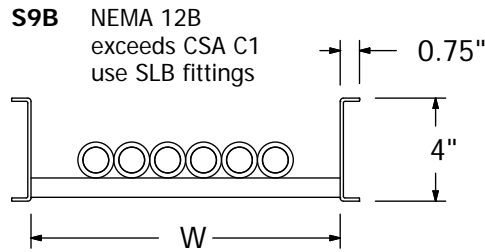
Width	Span (ft)							
	12		14		16		20	
	Load	Defl	Load	Defl	Load	Defl	Load	Defl
6"	208	0.92	153	1.26	117	1.64	75	2.56
9"	208	0.92	153	1.26	117	1.64	75	2.56
12"	208	0.92	153	1.26	117	1.64	75	2.56
18"	208	0.92	153	1.26	117	1.64	75	2.56
24"	208	0.92	153	1.26	117	1.64	75	2.56
30"	208	0.92	153	1.26	117	1.64	75	2.56
36"	208	0.92	153	1.26	117	1.64	75	2.56



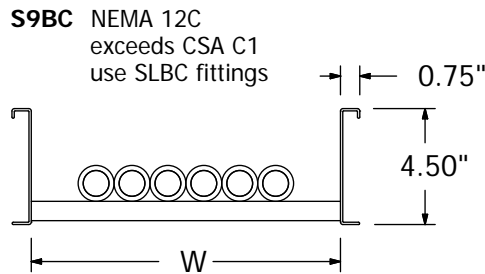
Width	Span (ft)							
	12		14		16		20	
	Load	Defl	Load	Defl	Load	Defl	Load	Defl
6"	277	1.12	204	1.53	156	1.99	123	2.56
9"	277	1.12	204	1.53	156	1.99	123	1.99
12"	277	1.12	204	1.53	156	1.99	123	1.99
18"	277	1.12	204	1.53	156	1.99	123	1.99
24"	277	1.12	204	1.53	156	1.99	123	1.99
30"	262	1.06	204	1.53	156	1.99	123	1.99
36"	218	0.88	204	1.53	156	1.99	123	1.99

Note: The unit of Load is lb and Deflection is inch.

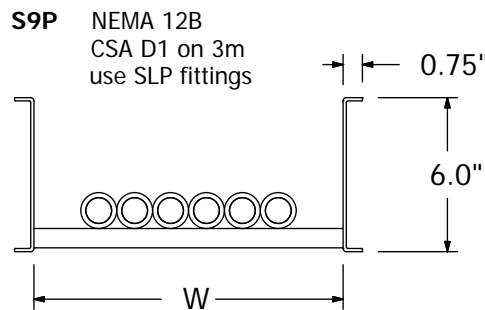
# HEFTY TRAY



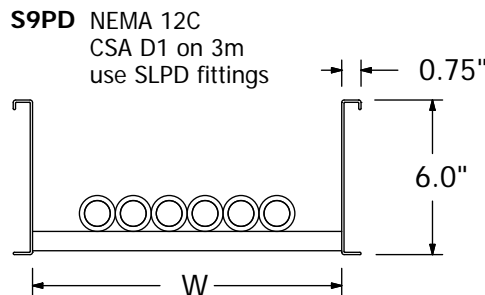
Width	Span (ft)							
	4		6		8		10	
	Load	Defl	Load	Defl	Load	Defl	Load	Defl
6"	675	0.10	300	0.24	169	0.42	108	0.65
9"	675	0.10	300	0.24	169	0.42	108	0.65
12"	675	0.10	300	0.24	169	0.42	108	0.65
18"	500	0.07	300	0.24	169	0.42	108	0.65
24"	375	0.06	300	0.24	169	0.42	108	0.65
30"	300	0.04	300	0.24	169	0.42	108	0.65
36"	250	0.04	250	0.10	169	0.42	108	0.65



Width	Span (ft)							
	4		6		8		10	
	Load	Defl	Load	Defl	Load	Defl	Load	Defl
6"	990	0.10	440	0.23	248	0.41	158	0.65
9"	990	0.10	440	0.23	248	0.41	158	0.65
12"	750	0.08	440	0.23	248	0.41	158	0.65
18"	500	0.05	440	0.23	248	0.41	158	0.65
24"	375	0.04	375	0.20	248	0.41	158	0.65
30"	300	0.03	300	0.16	248	0.41	158	0.65
36"	250	0.02	250	0.13	248	0.41	158	0.65



Width	Span (ft)							
	4		6		8		10	
	Load	Defl	Load	Defl	Load	Defl	Load	Defl
6"	791	0.04	351	0.09	196	0.17	125	0.27
9"	791	0.04	351	0.09	196	0.17	125	0.27
12"	750	0.04	351	0.09	196	0.17	125	0.27
18"	500	0.03	351	0.09	196	0.17	125	0.27
24"	375	0.02	351	0.09	196	0.17	125	0.27
30"	300	0.02	300	0.08	196	0.17	125	0.27
36"	250	0.01	250	0.06	196	0.17	125	0.27



Width	Span (ft)							
	4		6		8		10	
	Load	Defl	Load	Defl	Load	Defl	Load	Defl
6"	1116	0.05	496	0.12	279	0.22	179	0.35
9"	1000	0.04	496	0.12	279	0.22	179	0.35
12"	750	0.03	496	0.12	279	0.22	179	0.35
18"	500	0.02	496	0.12	279	0.22	179	0.35
24"	375	0.02	375	0.09	279	0.22	179	0.35
30"	300	0.01	300	0.07	279	0.22	179	0.35
36"	250	0.01	250	0.06	250	0.20	179	0.35

Note: The unit of Load is lb and Deflection is inch.